

Technical Data Sheet

Top View LEDs

67-23/T2C-EY2Z0/2T

Features

- P-LCC-4 package.
- White package.
- Optical indicator.
- Colorless clear window.
- Wide viewing angle.
- Suitable for vapor-phase reflow, Infrared reflow and wave solder processes.
- Computable with automatic placement equipment.
- Available on tape and reel (8mm Tape).
- Pb-free
- The product itself will remain within RoHS compliant version.



Descriptions

- The 67-23 series is available for orange, green, blue and yellow or other color due to the different raw material.
- Base on the package design, the device result in wide view angle.

Applications

- Ideal for coupling into light guides.
- Substitution of traditional light
- Optical indicator
- General applications.

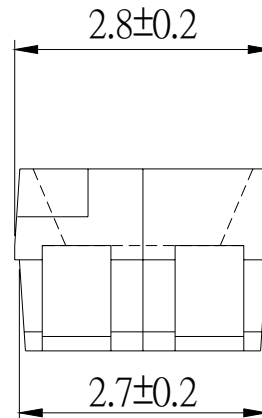
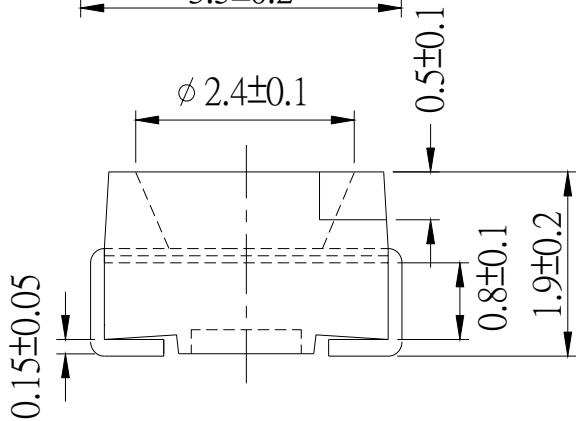
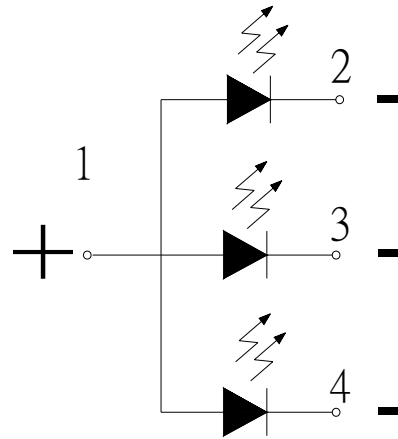
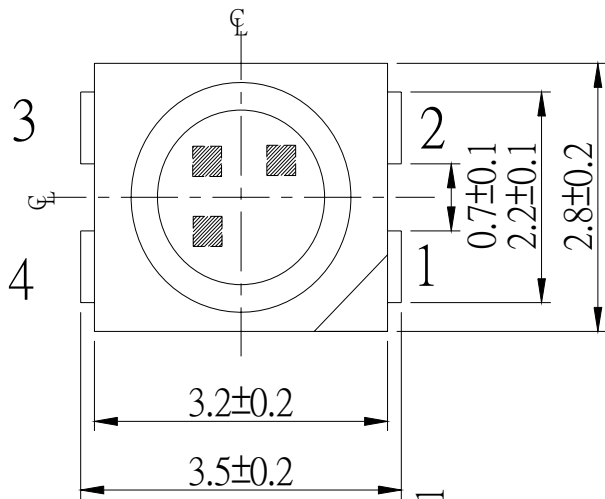
Device Selection Guide

Chip	Emitted Color	Resin Color
Material		
InGaN	White	Water Clear

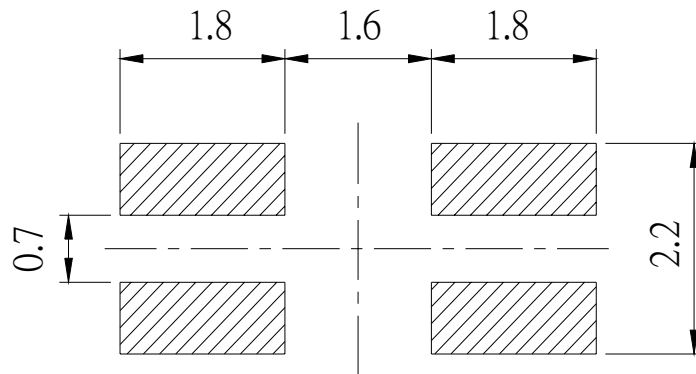
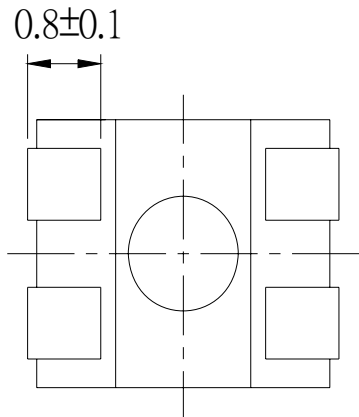
Technical Data Sheet
Top View LEDs

67-23/T2C-EY2Z0/2T

Package Dimensions



For reflow soldering(propose)



Note : Tolerance of Dimension : ± 0.1 mm. Unit = mm

Technical Data Sheet

Top View LEDs

67-23/T2C-EY2Z0/2T

Absolute Maximum Ratings (Ta=25°C)

Parameter	Symbol	Rating	Unit
Reverse Voltage	V _R	5	V
Forward Current	I _F	30	mA
Peak Forward Current (Duty 1/10 @1KHz)	I _{FP}	100	mA
Power Dissipation	P _d	110	mW
Electrostatic Discharge (HBM)	ESD	1000	V
Operating Temperature	T _{opr}	-40 ~ +85	°C
Storage Temperature	T _{stg}	-40 ~ +90	°C
Soldering Temperature	T _{sol}	Reflow Soldering : 260 °C for 10 sec. Hand Soldering : 350 °C for 3 sec.	

Electro-Optical Characteristics (Ta=25°C)

Parameter	Symbol	Min.	Typ.	Max.	Unit	Condition
Luminous Intensity ^{*1}	I _V	3600	-----	7200	mcd	I _F =20mA ^{*2}
Viewing Angle	2θ1/2	-----	120	-----	deg	I _F =20mA
Forward Voltage ^{*2}	V _F	2.7	----	3.5	V	I _F =20mA
Reverse Current ^{*2}	I _R	-----	-----	50	μA	V _R =5V

*¹ When three LED dies are operated simultaneously.

*² For each die.

Notes :

1. Tolerance of Luminous Intensity : ±11%
2. Tolerance of Forward Voltage : ±0.1V

Technical Data Sheet

Top View LEDs

67-23/T2C-EY2Z0/2T

Bin Range of Luminous Intensity

Bin	Min	Max	Unit	Condition
Y2	3600	4500	mcd	I _F =20mA
Z0	4500	7200		

Note : Tolerance of Luminous Intensity : $\pm 11\%$

Bin Range of Chromaticity Coordinates

Group	Bin Code	CIE_x	CIE_y	Bin Code	CIE_x	CIE_y	Condition
E	A0	0.280	0.248	B6	0.311	0.294	I _F =20mA
		0.264	0.267		0.307	0.315	
		0.283	0.305		0.330	0.339	
		0.296	0.276		0.330	0.318	
	B3	0.287	0.295	B4	0.307	0.315	
		0.283	0.305		0.304	0.33	
		0.304	0.330		0.33	0.36	
		0.307	0.315		0.33	0.339	
	B5	0.296	0.276				
		0.287	0.295				
		0.307	0.315				
		0.311	0.294				

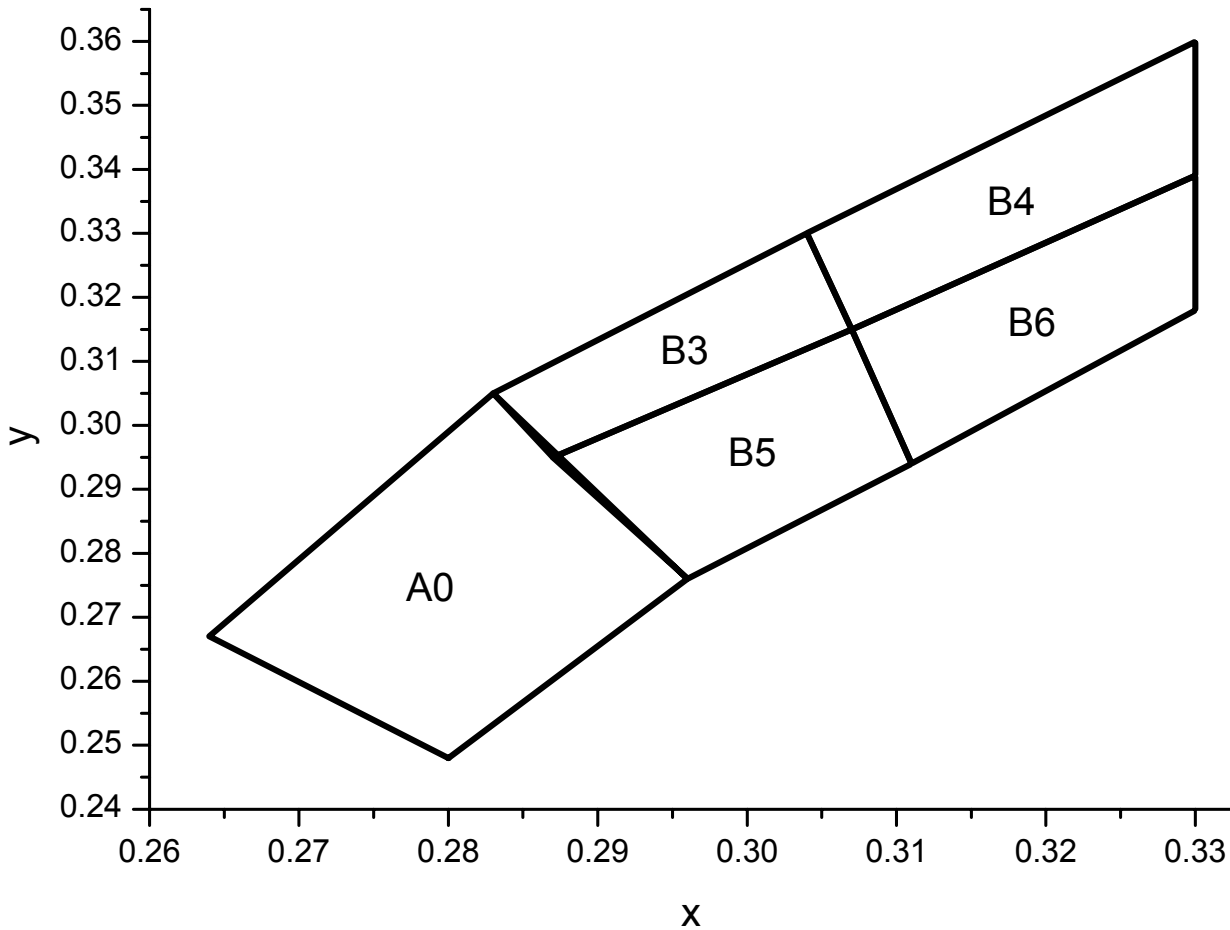
Note: Tolerance of Chromaticity Coordinates : ± 0.01

Technical Data Sheet

Top View LEDs

67-23/T2C-EY2Z0/2T

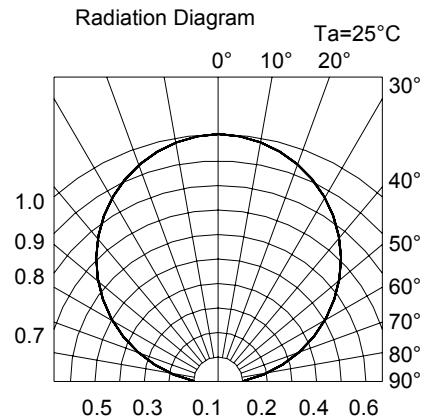
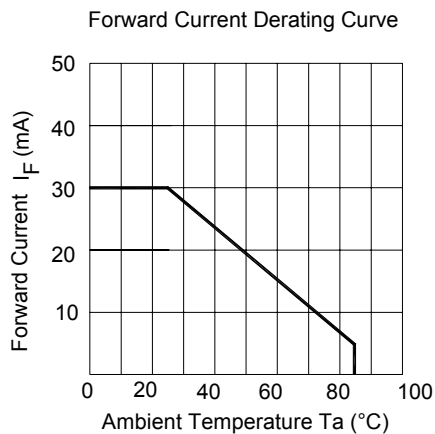
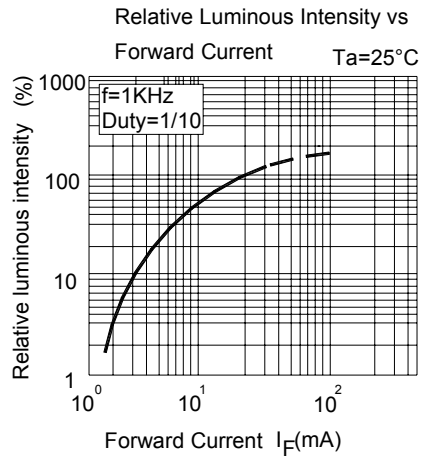
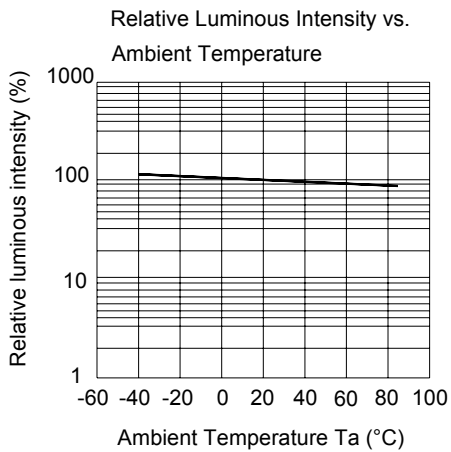
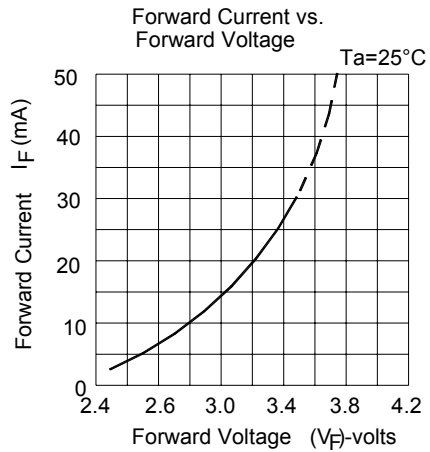
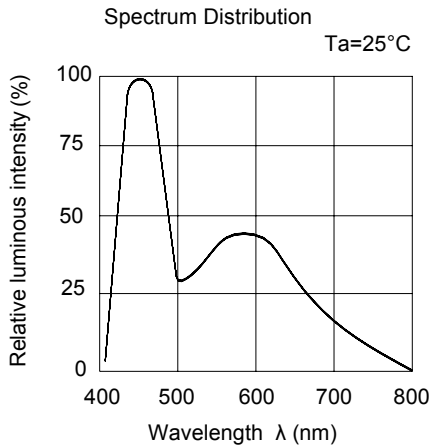
The C.I.E. 1931 Chromaticity Diagram



Technical Data Sheet
Top View LEDs

67-23/T2C-EY2Z0/2T

Typical Electro-Optical Characteristics Curves



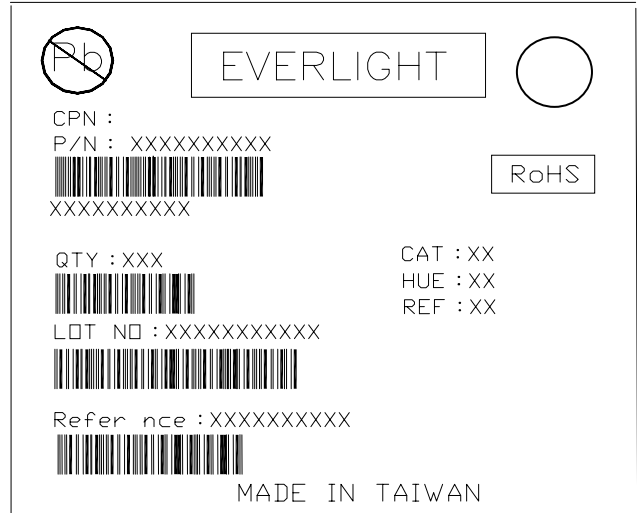
Note: For each die.

Technical Data Sheet
Top View LEDs

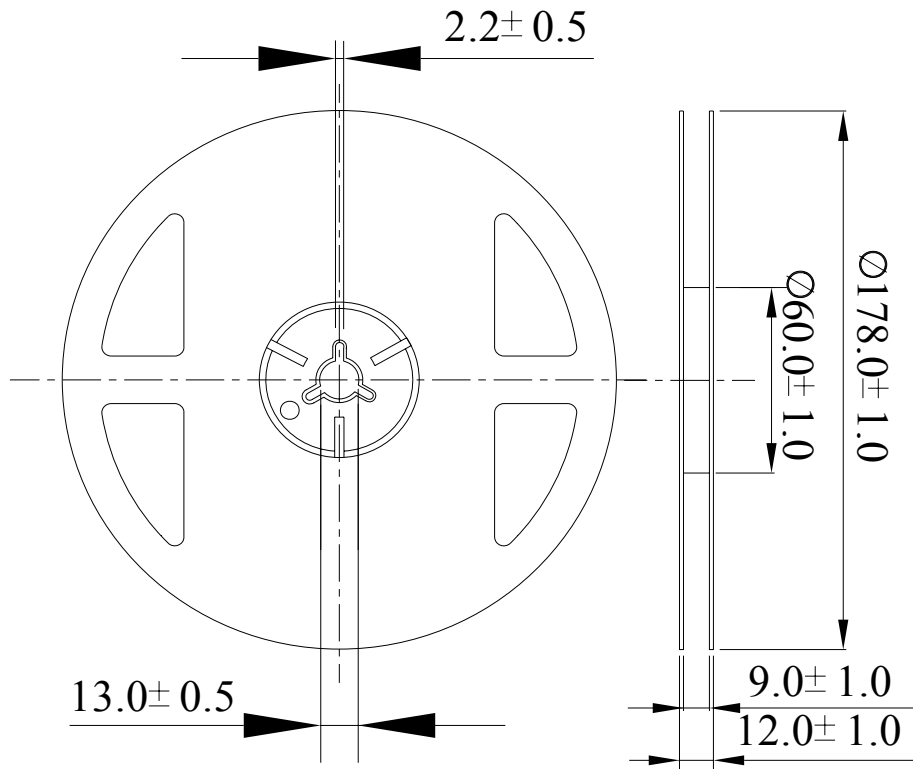
67-23/T2C-EY2Z0/2T

Label Explanation

CAT: Luminous Intensity Rank
HUE: Chromaticity Coordinates
REF: Forward Voltage Rank



Reel Dimensions

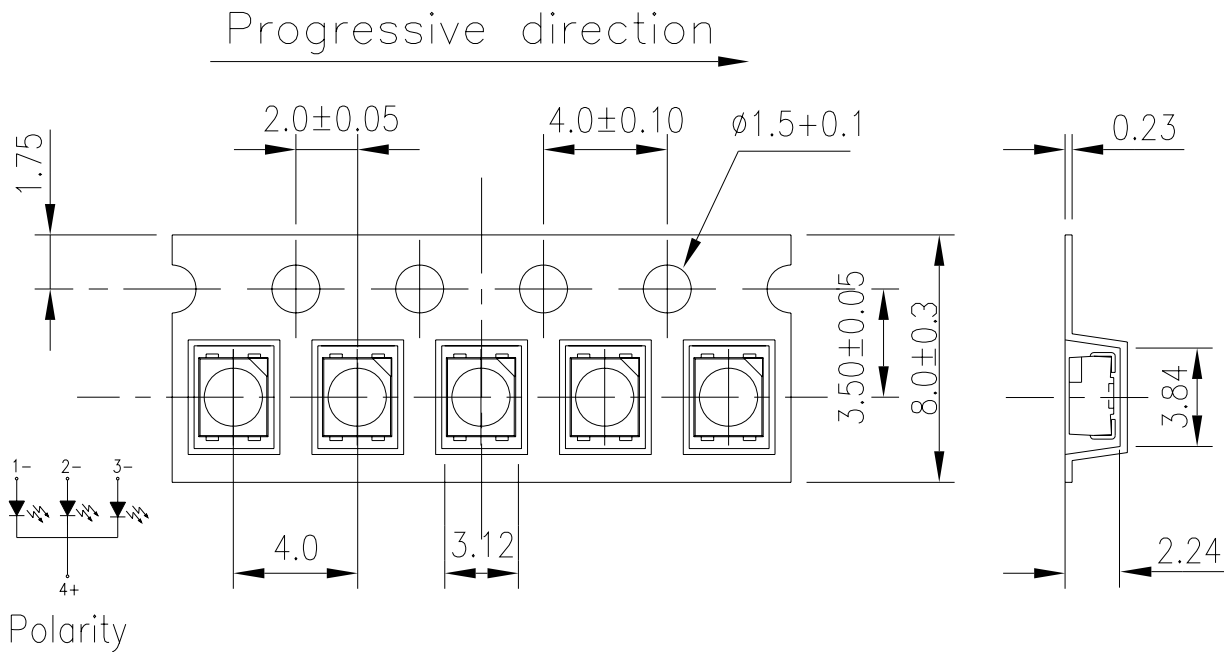


Note : Tolerances unless dimension ± 0.1 mm. Unit = mm

Technical Data Sheet
Top View LEDs

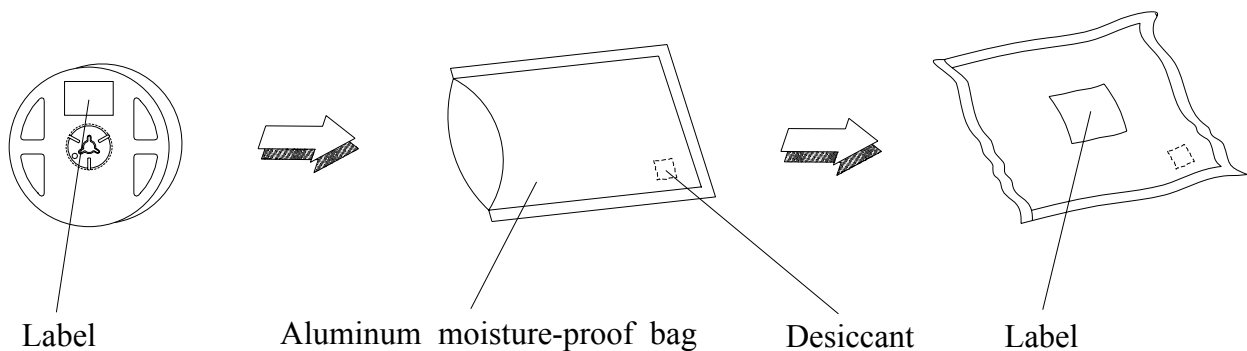
67-23/T2C-EY2Z0/2T

Carrier Tape Dimensions: Loaded Quantity 2000 pcs Per Reel



Note : Tolerances unless dimension ± 0.1 mm. Unit = mm

Moisture Resistant Packing



Technical Data Sheet

Top View LEDs

67-23/T2C-EY2Z0/2T

Reliability Test Items and Conditions

The reliability of products shall be satisfied with items listed below.

Confidence level : 90%

LTPD : 10%

No.	Items	Test Condition	Test Hours/Cycles	Sample Size	Ac/Re
1	Reflow Soldering	Temp. : 260°C±5°C Min. 10 sec.	6 Min.	22 PCS.	0/1
2	Temperature Cycle	H : +100°C 15min ↓ 5 min L : -40°C 15min	300 Cycles	22 PCS.	0/1
3	Thermal Shock	H : +100°C 5min ↓ 10 sec L : -10°C 5min	300 Cycles	22 PCS.	0/1
4	High Temperature Storage	Temp. : 100°C	1000 Hrs.	22 PCS.	0/1
5	Low Temperature Storage	Temp. : -40°C	1000 Hrs.	22 PCS.	0/1
6	DC Operating Life	I _F = 20 mA / 25°C	1000 Hrs.	22 PCS.	0/1
7	High Temperature / High Humidity	85°C/85%RH	1000 Hrs.	22 PCS.	0/1

Technical Data Sheet

Top View LEDs

67-23/T2C-EY2Z0/2T

Precautions for Use

1. Over-current-proof

Customer must apply resistors for protection, otherwise slight voltage shift will cause big current change (Burn out will happen).

2. Storage

2.1 Do not open moisture proof bag before the products are ready to use.

2.2 Before opening the package, the LEDs should be kept at 30°C or less and 90%RH or less.

2.3 After opening the package: The LED's floor life is 1 year under 30°C or less and 60% RH or less.

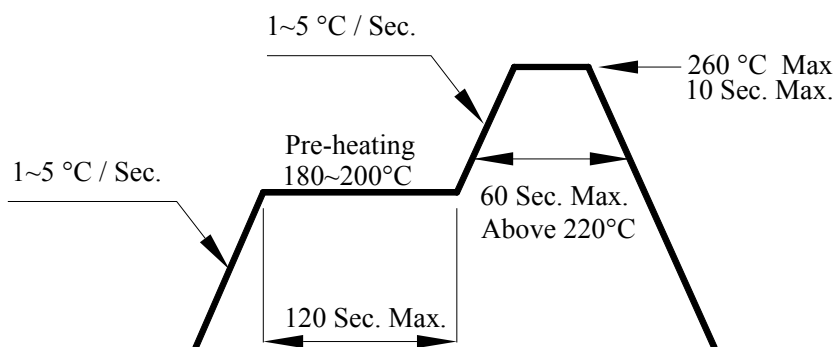
If unused LEDs remain, it should be stored in moisture proof packages.

2.4 If the moisture absorbent material (silica gel) has faded away or the LEDs have exceeded the storage time, baking treatment should be performed using the following conditions.

Baking treatment : 60±5°C for 24 hours.

3. Soldering Condition

3.1 Pb-free solder temperature profile



3.2 Reflow soldering should not be done more than two times.

3.3 When soldering, do not put stress on the LEDs during heating.

3.4 After soldering, do not warp the circuit board.

4. Soldering Iron

Each terminal is to go to the tip of soldering iron temperature less than 350°C for 3 seconds within once in less than the soldering iron capacity 25W. Leave two seconds and more intervals, and do soldering of each terminal. Be careful because the damage of the product is often started at the time of the hand solder.

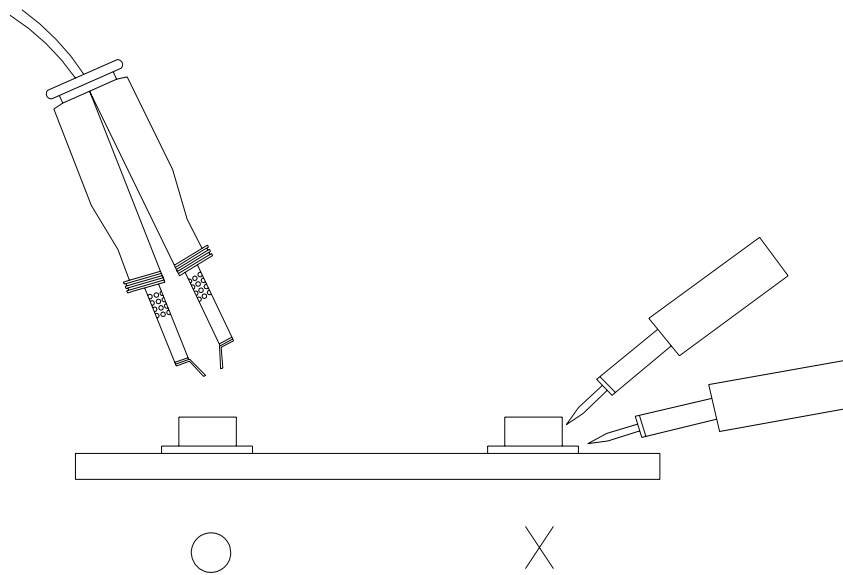
Technical Data Sheet

Top View LEDs

67-23/T2C-EY2Z0/2T

5. Repairing

Repair should not be done after the LEDs have been soldered. When repairing is unavoidable, a double-head soldering iron should be used (as below figure). It should be confirmed beforehand whether the characteristics of the LEDs will or will not be damaged by repairing.



EVERLIGHT ELECTRONICS CO., LTD.
Office: No 25, Lane 76, Sec 3, Chung Yang Rd,
Tucheng, Taipei 236, Taiwan, R.O.C

Tel: 886-2-2267-2000, 2267-9936
Fax: 886-2267-6244, 2267-6189, 2267-6306
<http://www.everlight.com>