



EVERLIGHT ELECTRONICS CO.,LTD.

DEVICE NUMBER : DLE-912-258 REV : 1.2

ECN : _____ PAGE : 2/5

1.8mm Round Subminiature "Yoke" Lead LEDs

MODEL NO : 91-21SYGC/S530-E2/TR9

Features :

- Package in 12mm tape on 7" diameter reels.
- Compatible with automatic placement equipment.
- Compatible with infrared and vapor phase reflow solder process.
- IC compatible.
- EIA std package.
- Mono-color type.

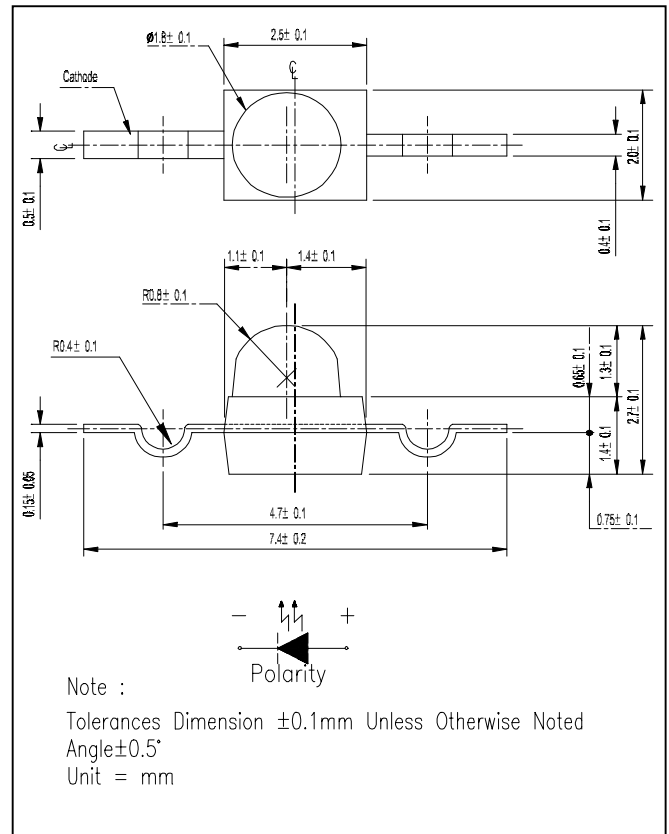
Descriptions :

- The 91-21 SMD taping is much smaller than lead fame type compoments. Thus enable smaller board size. Higher packing density. Reduced storage space and finally smaller equipment to be obtained.
- Besides, light weight makes them ideal for miniature application, ect.
- Furthermore by automation assembly machines the accuracy is anticipated.

Applications :

- Small indicator for outdoor applications.
- Flat backlight for LCD, switches and symbols.
- Indicator and backlight in offic equipment.
- Indicator and backlight for battery driven equipment.
- Indicator and backlight for audio and video equipment.
- Automotive : backlighting in dashboards and switches.
- Telecommunication : indicator and backlighting in telephone and fax.
- General use.

Package Dimensions :



PART NO.	Chip		Lens Color
	Material	Emitted Color	
91-21SYGC/S530-E2/TR9	AlGaInP	Super Yellow Green	Water Clear

OFFICE : NO. 25,Lane 76,Sec.3, Chung Yang Rd., Tucheng 236, Taipei, Taiwan, R.O.C.

TEL : 886-2-2267-2000,2267-9936

FAX : 886-2-2267-6244,22676189,22676306

<http://www.everlight.com>



EVERLIGHT ELECTRONICS CO.,LTD.

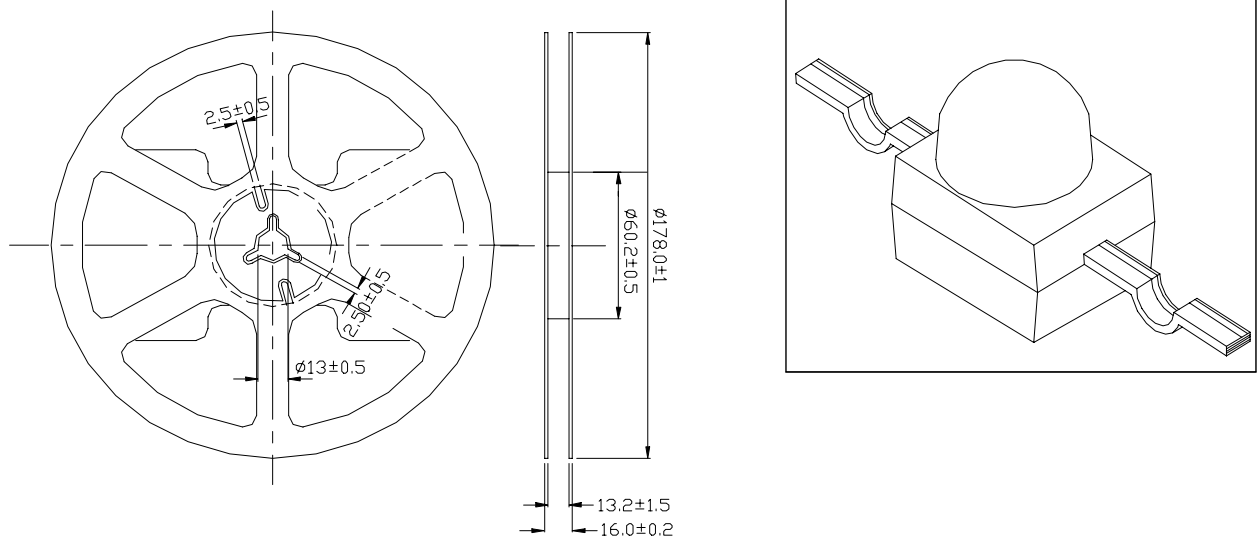
DEVICE NUMBER : DLE-912-258 REV : 1.2

ECN : _____ PAGE : 2/5

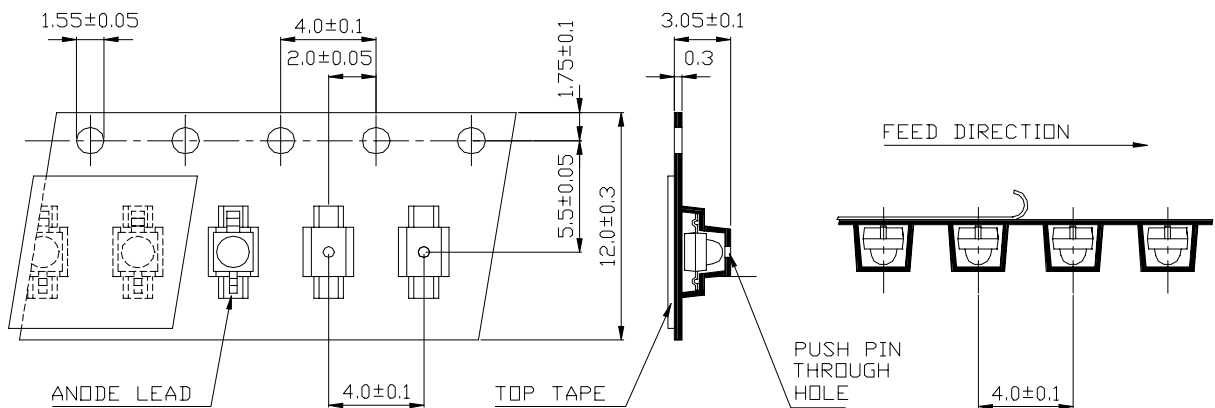
1.8mm Round Subminiature "Yoke" Lead LEDs

MODEL NO : 91-21SYGC/S530-E2/TR9

■ Package Dimensions



■ Loaded Quantity Per Reel 1000 Pcs/Reel



1. All dimensions are in millimeters.
2. Lead spacing is measured where the lead emerge from the package
3. Protruded resin under flange 1.5 mm (0.59") max.



EVERLIGHT ELECTRONICS CO.,LTD.

DEVICE NUMBER : DLE-912-258 REV : 1.2ECN : _____ PAGE : 2/5

1.8mm Round Subminiature "Yoke" Lead LEDs

MODEL NO : 91-21SYGC/S530-E2/TR9

■ Absolute Maximum Ratings at T_a = 25°C

Parameter	Symbol	Rating	Unit
Reverse Voltage	V _R	5	V
Forward Current	I _F	25	mA
Operating Temperature	T _{opr}	-40 ~ +85	°C
Storage Temperature	T _{stg}	-40 ~ +100	°C
Soldering Temperature	T _{sol}	260 ± 5 for 5 sec	°C
Electrostatic Discharge	ESD	2000	V
Power Dissipation	P _d	60	mW
Peak Forward Current(Duty 1/10 @ 1KHz)	I _F (Peak)	160	mA

■ Electronic Optical Characteristics :

Parameter	Symbol	Min.	Typ.	Max.	Unit	Condition
Luminous Intensity	I _v	----	20	----	mcd	I _F = 2mA
Luminous Intensity	I _v	264	330	----	mcd	I _F = 20mA
Viewing Angle	2θ 1/2	----	25	----	deg	
Peak Wavelength	λ _p	----	575	----	nm	
Dominant Wavelength	λ _d	----	573	----	nm	
Spectrum Radiation Bandwidth	Δλ	----	20	----	nm	
Forward Voltage	V _F	----	2.0	2.4	V	
Reverse Current	I _R	----	----	10	μA	V _R =5V



EVERLIGHT ELECTRONICS CO.,LTD.

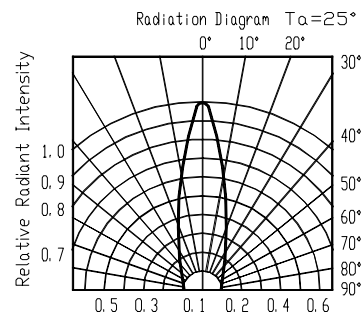
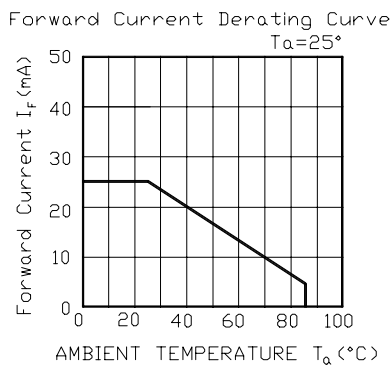
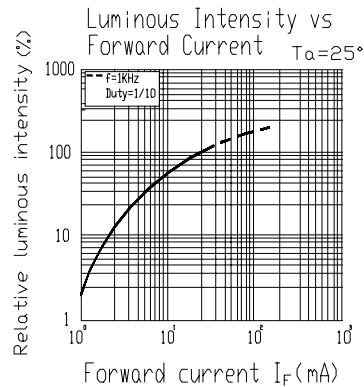
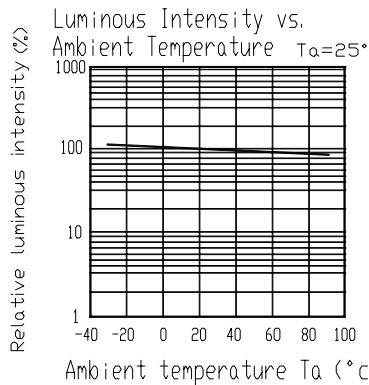
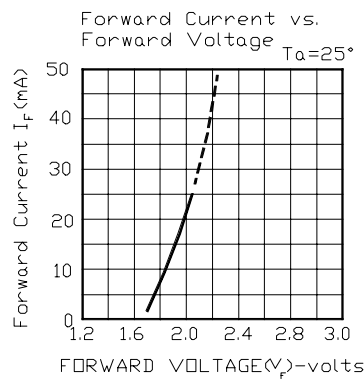
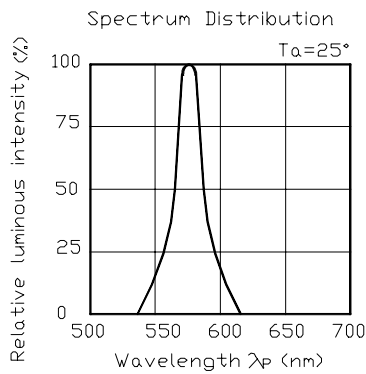
DEVICE NUMBER : DLE-912-258 REV : 1.2

ECN : _____ PAGE : 2/5

1.8mm Round Subminiature "Yoke" Lead LEDs

MODEL NO : 91-21SYGC/S530-E2/TR9

Typical Electro-Optical Characteristic Curves





EVERLIGHT ELECTRONICS CO.,LTD.

DEVICE NUMBER : DLE-912-258 REV : 1.2

ECN : _____ PAGE : 2/5

1.8mm Round Subminiature "Yoke" Lead LEDs

MODEL NO : 91-21SYGC/S530-E2/TR9

■ Reliability Test Items And Conditions

NO.	Item	Test Conditions	Test Hours/ Cycle	Sample Size	Ac/Re
1	Solder Heat	TEMP : 260°C ± 5 °C	5 SEC	76 PCS	0/1
2	Temperature Cycle	H : +85°C 30 min ↑ 5 min ↓ L : -55°C 30 min	50 CYCLES	76 PCS	0/1
3	Thermal Shock	H : +100°C 5 min ↑ 10 sec ↓ L : -10°C 30 min	50 CYCLES	76 PCS	0/1
4	High Temperature Storage	TEMP. : +100°C	1000 HRS	76 PCS	0/1
5	Low Temperature Storage	TEMP. : -55°C	1000 HRS	76 PCS	0/1
6	DC Operating Life	IF = 20 mA	1000 HRS	76 PCS	0/1
7	High Temperature / High Humidity	85°C / 85% R.H.	1000 HRS	76 PCS	0/1