



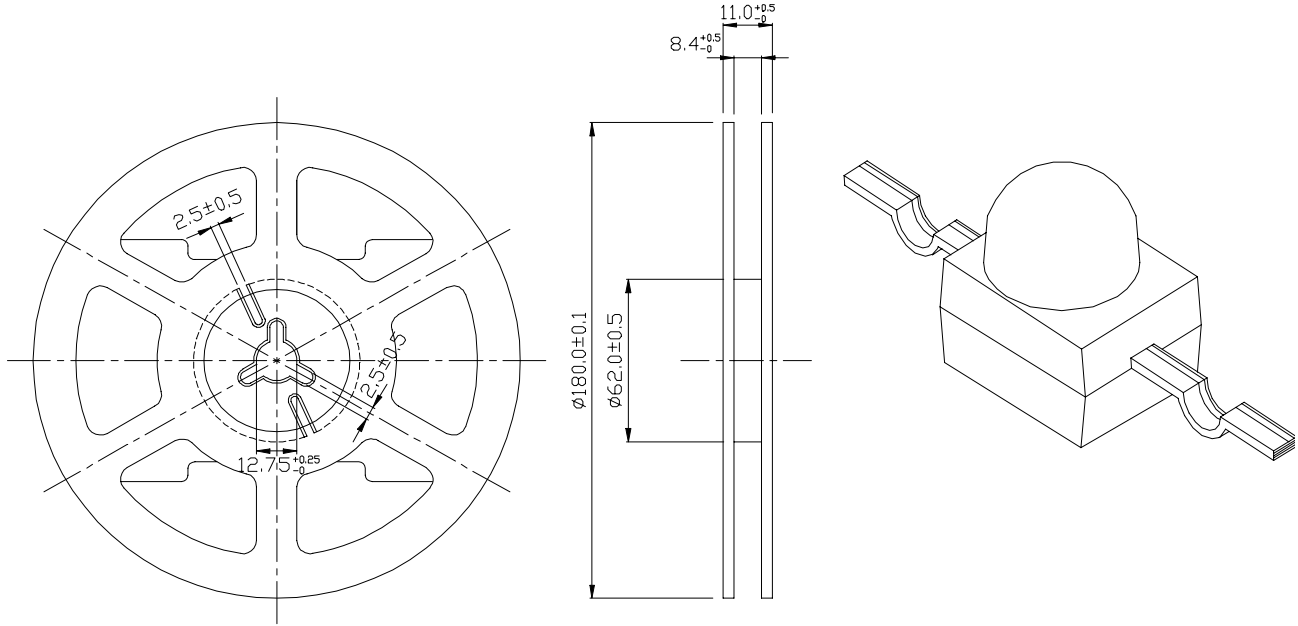
EVERLIGHT ELECTRONICS CO.,LTD.

DEVICE NUMBER : DLE-912-260 REV : 1.0
ECN : _____ PAGE : 2/5

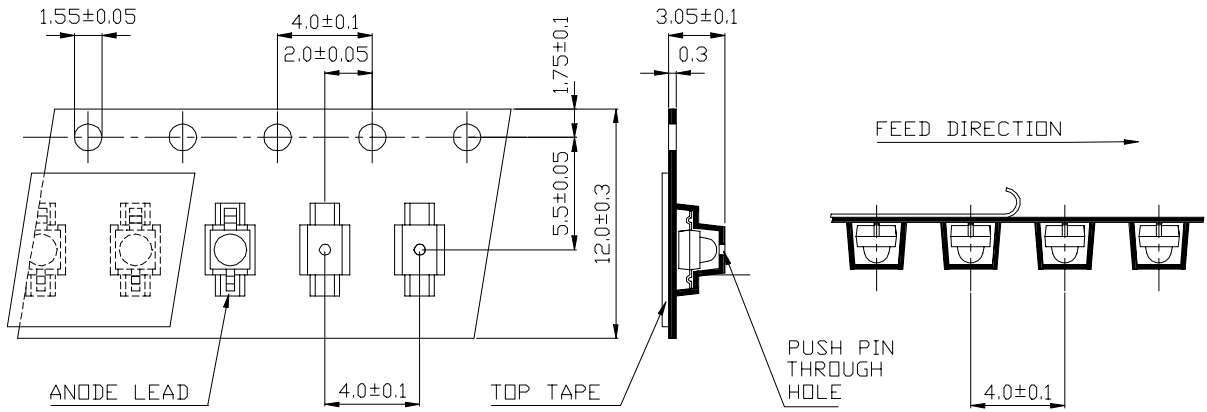
1.9mm Round Subminiature "Yoke" Lead LEDs

MODEL NO : 91-21UBC/C430/TR9

■ Package Dimensions



■ Loaded Quantity Per Reel 1000 Pcs/Reel



1. ALL DIMENSIONS ARE IN MILLIMETERS.
2. LEAD SPACING IS MEASURED WHERE THE LEAD EMERGE FROM THE PACKAGE
3. PROTRUDED RESIN UNDER FLANGE 1.5 mm (0.59") MAX.



EVERLIGHT ELECTRONICS CO.,LTD.

DEVICE NUMBER : DLE-912-260 REV : 1.0
ECN : _____ PAGE : 4/5

1.9mm Round Subminiature "Yoke" Lead LEDs

MODEL NO : 91-21UBC/C430/TR9

■ Reliability Test Item And Condition

NO.	Item	Test Conditions	Test Hours/ Cycle	Sample Size	Ac/Re
1	Solder Heat	TEMP : 260°C ± 5 °C	5 sec	76 pcs	0/1
2	Temperature Cycle	H : +85°C 30 min ↑ 5 min ↓ L : -55°C 30 min	50 cycle	76 pcs	0/1
3	Thermal Shock	H : +100°C 5 min ↑ 10 sec ↓ L : -10°C 30 min	50 cycle	76 pcs	0/1
4	High Temperature Storage	TEMP. : +100°C	1000 hrs	76 pcs	0/1
5	Low Temperature Storage	TEMP. : -55°C	1000 hrs	76 pcs	0/1
6	DC Operating Life	If = 20 mA	1000 hrs	76 pcs	0/1
7	High Temperature / High Humidity	85°C / 85% R.H.	1000 hrs	76 pcs	0/1

1.9mm Round Subminiature "Yoke" Lead LEDs

MODEL NO : 91-21UBC/C430/TR9

■ Typical Electro-Optical Characteristic Curves

