



EVERLIGHT ELECTRONICS CO.,LTD.

DEVICE NUMBER : DLE-952-150 REV : 1.0
 ECN : _____ PAGE : 1/5

1.8mm Round Subminiature "Yoke" Lead (Square Base) LEDs

MODEL NO : 95-21UYC/S530-A3/TR9

Features :

- Package in 12mm tape on 7" diameter reels.
- Compatible with automatic placement equipment.
- Compatible with infrared and vapor phase reflow solder process.
- I.C. compatible.
- EIA std package.
- Mono-color type.

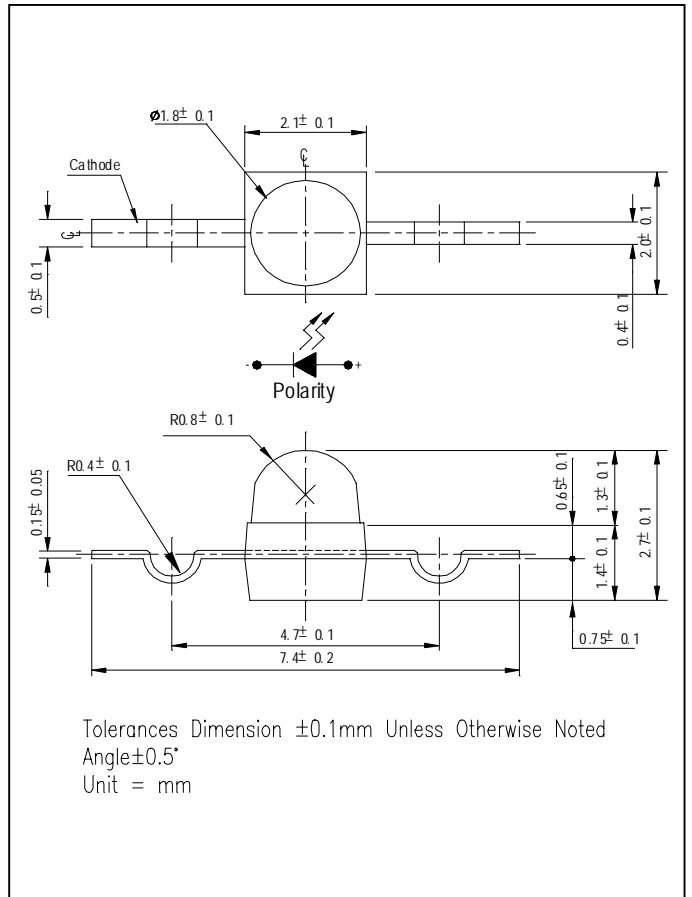
Description :

- The 95-21 SMD taping is much smaller than leaded components. Thusenable smaller board size.Higher packing density. Reduced storage space and finally smaller equipment to be obtained.
- Besides, light weight makes them ideal for miniature application, ect.
- Furthermore by automation assembly machines the accuracy is anticipated.

Applications :

- Small indicator for outdoor applications.
- Flat backlight for LCD, switch and symbol.
- Indicator and backlight in offic equipment.
- Indicator and backlight for battery driven equipment.
- Indicator and backlight for audio and video equipment.
- Automotive : backlighting in dashboard and switch.
- Telecommunication : indicator and backlighting in telephone and fax.
- General use.

Package Dimension :



PART NO.	CHIP		LENS COLOR
	MATERIAL	EMITTED COLOR	
95-21UYC/S530-A3/TR9	AlGaInP	Super Yellow	Water Clear

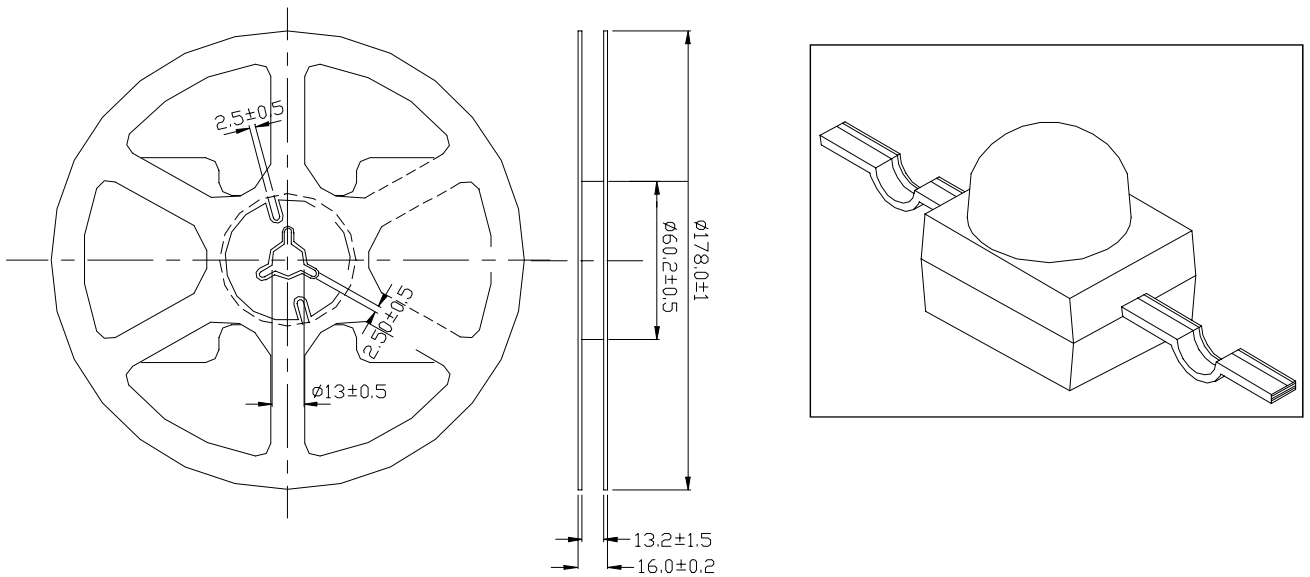
OFFICE : NO. 25,Lane 76,Sec.3, Chung Yang Rd., Tucheng 236, Taipei, Taiwan, R.O.C.
 TEL : 886-2-2267-2000,2267-9936
 FAX : 886-2-2267-6244,22676189,22676306
<http://www.everlight.com>



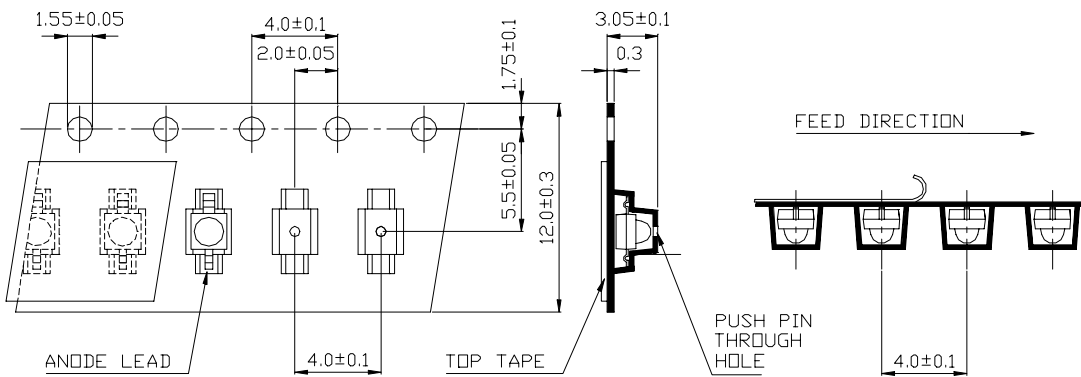
1.8mm Round Subminiature "Yoke" Lead (Square Base) LEDs

MODEL NO : 95-21UYC/S530-A3/TR9

■ Package Dimensions



■ Loaded Quantity Per Reel 1000 Pcs/Reel



1. ALL DIMENSIONS ARE IN MILLIMETERS.
2. LEAD SPACING IS MEASURED WHERE THE LEAD EMERGE FROM THE PACKAGE
3. PROTRUDED RESIN UNDER FLANGE 1.5 mm (0.59") MAX.



EVERLIGHT ELECTRONICS CO.,LTD.

DEVICE NUMBER : DLE-952-150 REV : 1.0
 ECN : _____ PAGE : 3/5

1.8mm Round Subminiature "Yoke" Lead (Square Base) LEDs

MODEL NO : 95-21UYC/S530-A3/TR9

■ Absolute Maximum Ratings at T_A = 25°C

Parameter	Symbol	Rating	Unit
Reverse Voltage	V _r	5	V
Forward Current	I _f	25	mA
Operating Temperature	T _{opr}	-40 ~ +85	°C
Storage Temperature	T _{stg}	-40 ~ +100	°C
Soldering Temperature	T _{sol}	260 ± 5 for 5 sec	°C
Power Dissipation	P _d	60	mW
Peak Forward Current(Duty 1/10 @ 1KHZ)	I _f (Peak)	160	mA

■ Electronic Optical Characteristics :

Parameter	Symbol	MIN.	TYP.	MAX.	Unit	Condition
Luminous intensity	I _v	401	630	----	mcd	I _f = 20mA
Viewing Angle	2θ 1/2	----	25	----	deg	
Peak Wavelength	λ _p	----	591	----	nm	
Dominant Wavelength	λ _d	----	589	----	nm	
Spectrum Radiation Bandwidth	Δλ	----	20	----	nm	
Forward Voltage	V _f	----	2.0	2.4	V	
Reverse Current	I _r	----	----	10	μA	V _r =5V



EVERLIGHT ELECTRONICS CO.,LTD.

DEVICE NUMBER : DLE-952-150 REV : 1.0

ECN : _____ PAGE : 4/5

1.8mm Round Subminiature "Yoke" Lead (Square Base) LEDs

MODEL NO : 95-21UYC/S530-A3/TR9

■ Reliability Test Item And Condition

NO.	Item	Test Conditions	Test Hours/ Cycle	Sample Size	Ac/Re
1	Solder Heat	TEMP : 260°C ± 5 °C	5 sec	76 pcs	0/1
2	Temperature Cycle	H : +85°C 30 min ↑ 5 min ↓ L : -55°C 30 min	50 cycle	76 pcs	0/1
3	Thermal Shock	H : +100°C 5 min ↑ 10 sec ↓ L : -10°C 30 min	50 cycle	76 pcs	0/1
4	High Temperature Storage	TEMP. : +100°C	1000 hrs	76 pcs	0/1
5	Low Temperature Storage	TEMP. : -55°C	1000 hrs	76 pcs	0/1
6	DC Operating Life	If = 20 mA	1000 hrs	76 pcs	0/1
7	High Temperature / High Humidity	85°C / 85% R.H.	1000 hrs	76 pcs	0/1



EVERLIGHT ELECTRONICS CO.,LTD.

DEVICE NUMBER : DLE-952-150 REV : 1.0

ECN : _____ PAGE : 5/5

1.8mm Round Subminiature "Yoke" Lead (Square Base) LEDs

MODEL NO : 95-21UYC/S530-A3/TR9

Typical Electro-Optical Characteristic Curves

